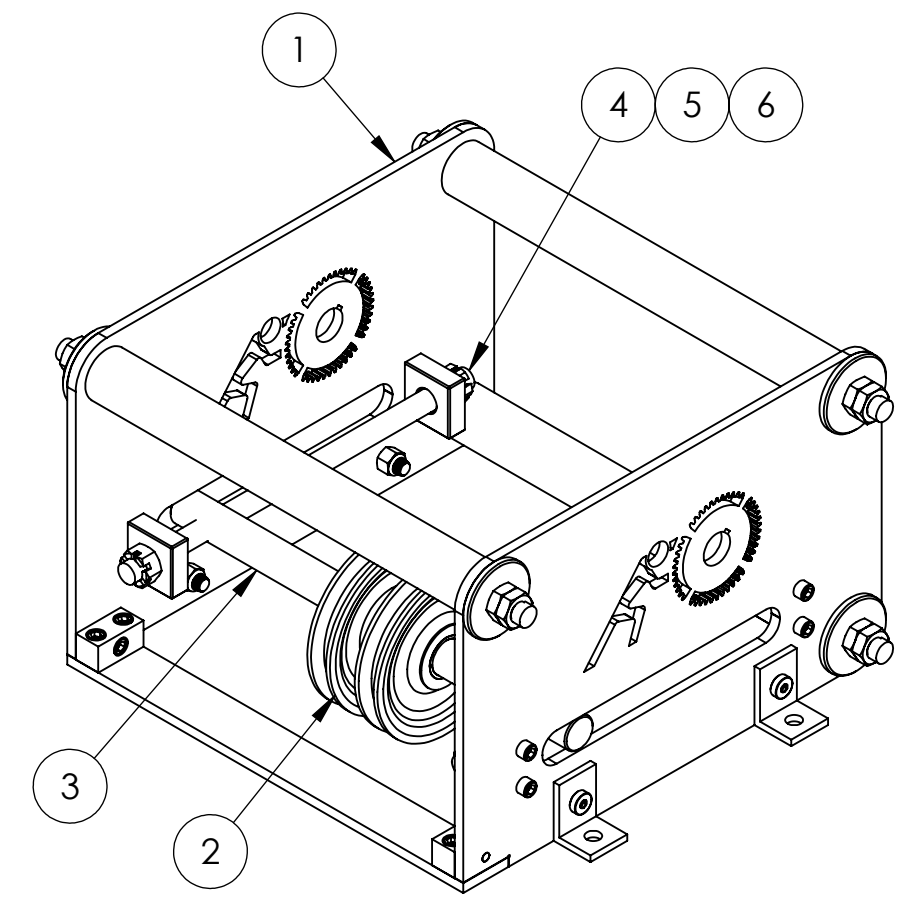
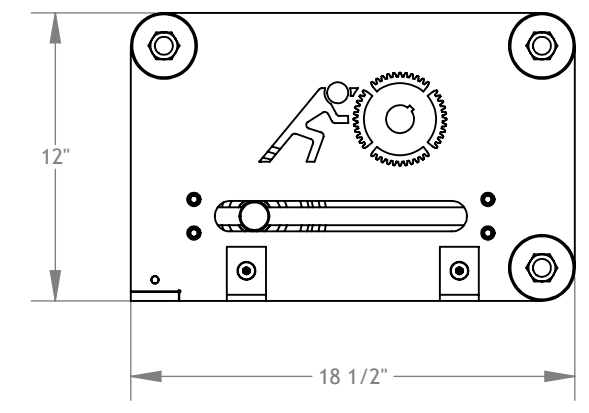
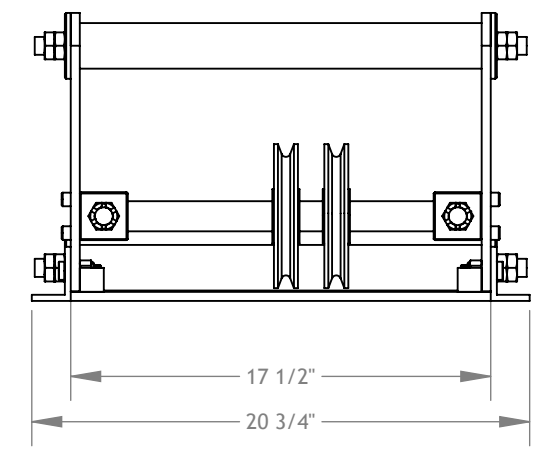
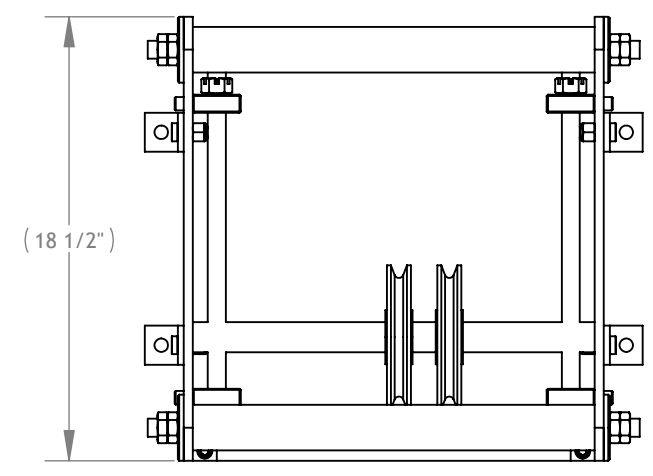


REVISIONS			
Rev.	Drawn	Date	Revisions



Spotline Tensioner  
 Spotline Tensioner Overview  
 Scale: as noted  
 Drawn on: 1/2/2015  
 Revised on:



1 Spotline Tensioner Overview  
 ST1 scale = 1:8

tolerances:  
 $\frac{x}{y}$  :  $\pm \frac{1}{16}$ "  
 .xx :  $\pm 0.010$   
 .xxx :  $\pm 0.003$

the information contained in this drawing is the property of creative conners inc.

Item #	Detail Number	Item Description or Part Number	Qty.
1	1/ST2	Assembly- Spotline Tensioner Frame	1
2	--	6in OD Pulley, McMaster #3175T49	2
3	3/ST4	Part - Tensioner Shaft	1
4	2/ST4	Part - .75 Tensioner Frame Threaded Rod	2
5	--	.75-10 Castle Nut, McMaster #97190A035	4
6	--	5/32" X 1.125" Roll Pin, McMaster #98296A899	4

**ST1**