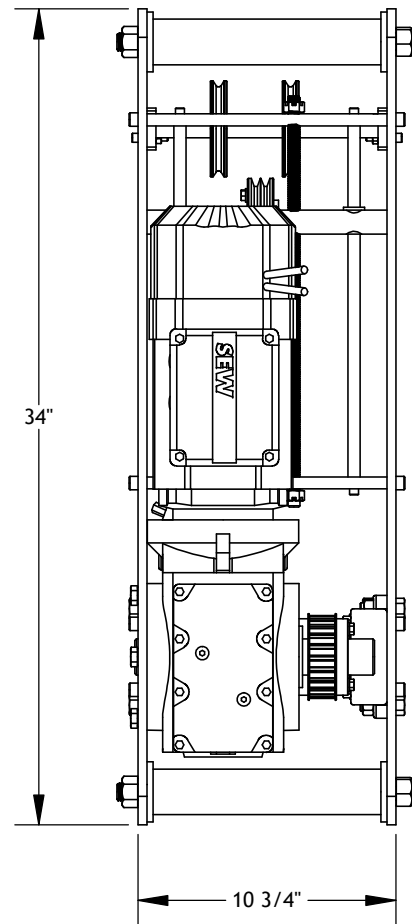
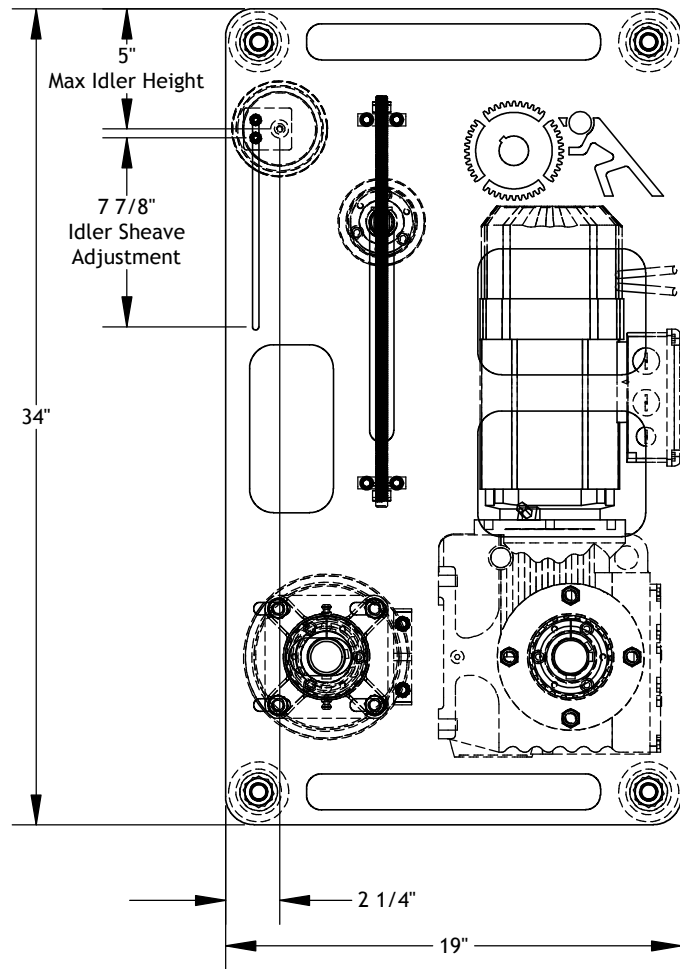


| Spec | Value |
|--------------------|--------------|
| HP, Gear Ratio | 1HP, 20.37:1 |
| Pull Rating | 212# |
| Projected Max Load | 1417# |
| Speed | 31 in/sec |
| Unit Weight | 218# |



1 **Curtain Call Overview**
 CC10 scale = 1:8



Curtain Call
 Product Overview
 Scale: As Noted
 Drawn on: 2/23/2012
 Revised on:

84 Cutler St., Unit #3
 Warren RI 02885
 V-401.289.2842 F-01.286.0279

the information contained in this drawing is the property of creative conners inc.

CC10