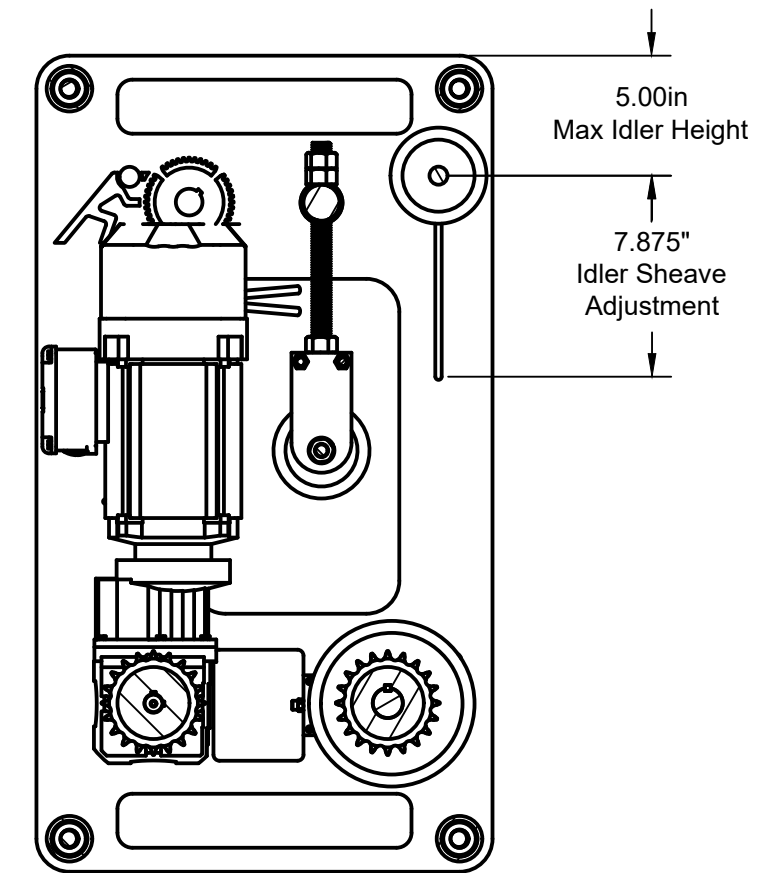
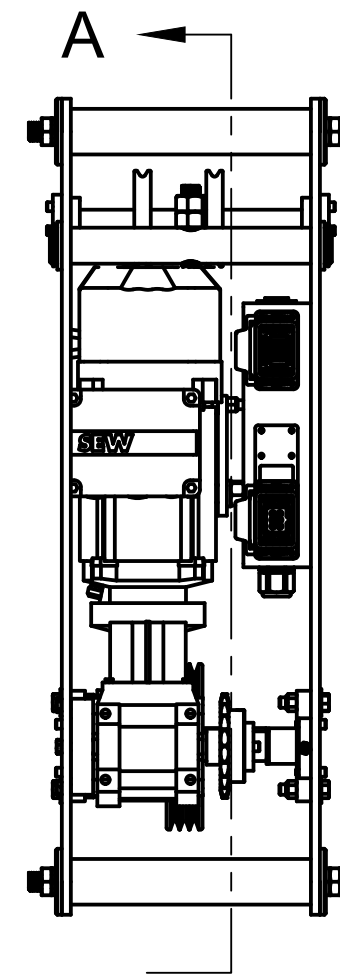
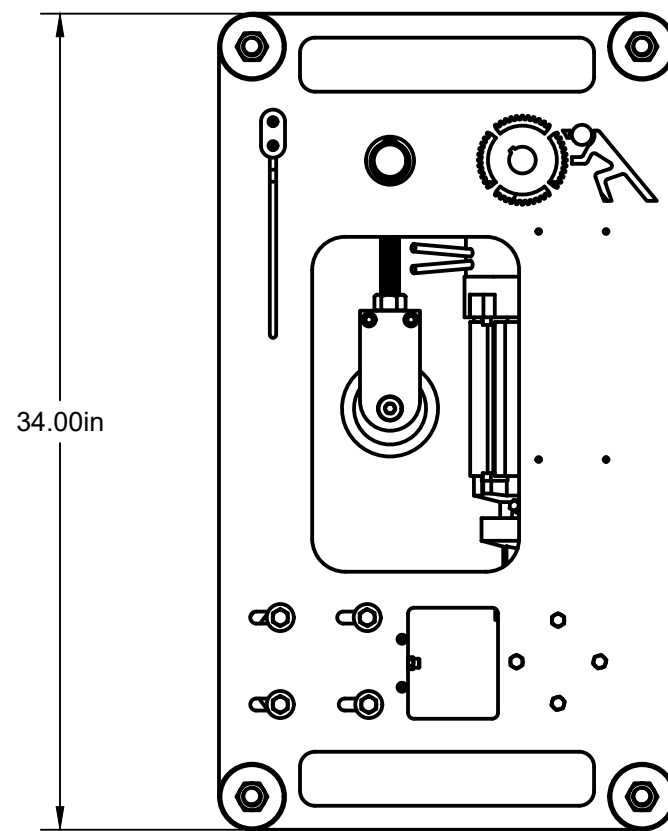
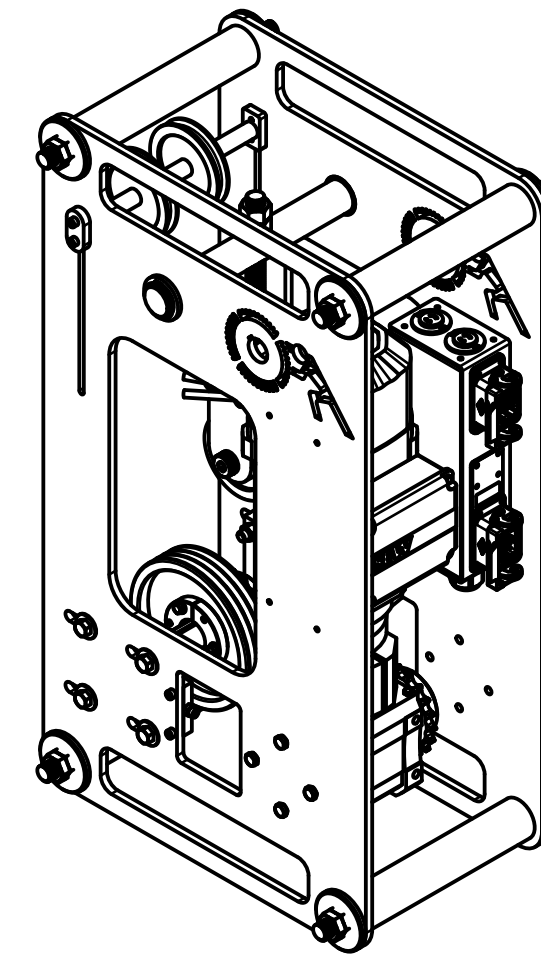
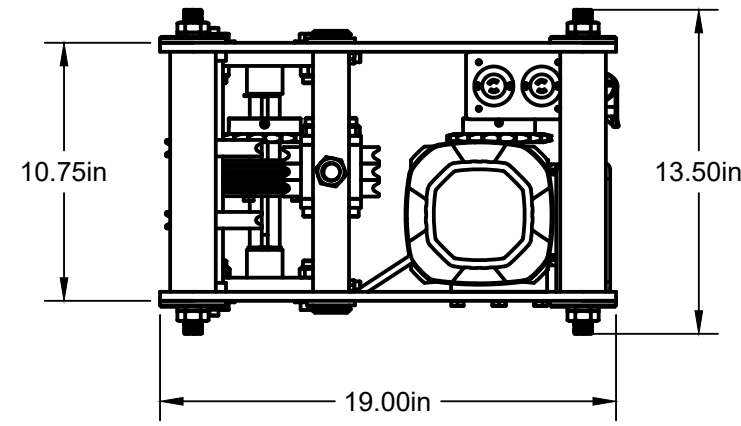
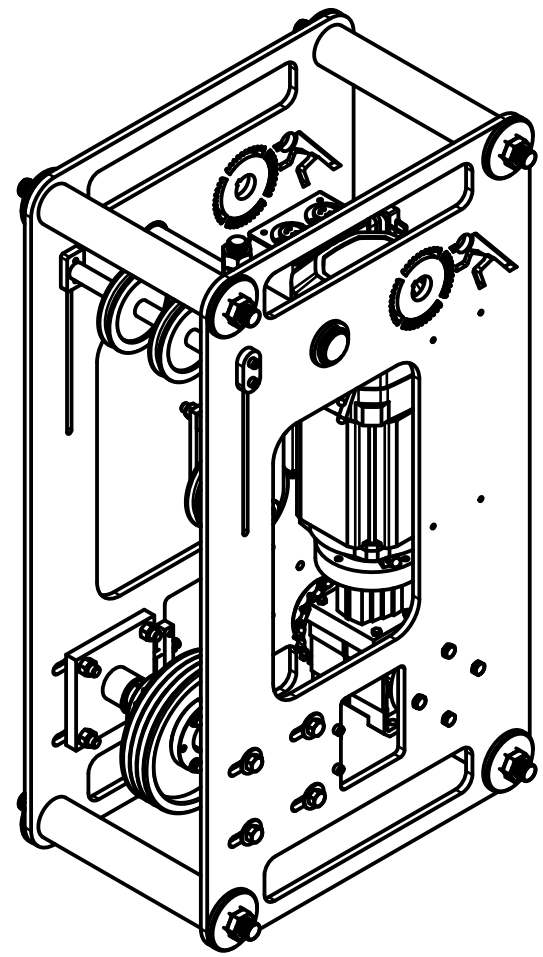


4

3


2

1



**SECTION A-A**  
**SCALE 1-1/2" = 1'-0"**

<b>Curtain Call 2017 Specs</b>	
<b>Spec</b>	<b>Value</b>
HP	1HP
Gear Ratio	18.94:1
Linear Speed	31"/sec
Unit Weight	218lbs

	PROJECT Curtain Call 2017			
	TITLE Product Overview			
This drawing is the property of Creative Conners, Inc. Copyright 2018. All rights reserved.				
APPROVED	SIZE	CODE	DWG NO	REV
CHECKED	C			
DRAWN Mike Wade 6/22/2018	SCALE 1-1/2" = 1'-0"	WEIGHT	SHEET 1/1	

4

3

2

1